

Daikin VRV and Sky systems to BACnet/IP & MS/TP Interface

Item number: INBACDAI001R000

The Daikin-BACnet interface allows full bidirectional communication between Daikin VRV and Sky air conditioner units and BACnet/IP or MS/TP networks. It enables BACnet communication via polling or subscription requests (COV), making the indoor unit available through independent BACnet objects. A wired remote controller can also be connected.



Daikin to BACnet/IP & MS/TP - 1 indoor unit

Features and benefits

- ✓ **Support for BACnet/IP and BACnet MS/TP**
BACnet/IP (via Ethernet) or BACnet MS/TP (via EIA-485) connection options are supported.
- ✓ **IP settings available via a web interface**
A configuration tool is available via a web interface with IP settings and more information.
- ✓ **Occupancy function to allow energy savings**
Occupancy function that helps reduce costs, as HVAC systems are one of the main energy consumers.
- ✓ **AC unit control by remote and BACnet/IP or MS/TP**
The AC unit can simultaneously be controlled via BACnet/IP or MS/TP and its own remote controller.
- ✓ **Configuration from onboard DIP switches**
The interface configuration is carried out directly through its onboard DIP switches.
- ✓ **AC unit data served as fixed BACnet Objects**
Air conditioning unit properties and functionalities are abstracted into fixed BACnet Objects.
- ✓ **Total unit control and monitoring from BACnet**
Through internal variables, running hours counter (for maintenance purposes), and error indication.
- ✓ **No external power required**
The interface is powered directly from the AC unit, so no external power supply is required.

Daikin VRV and Sky systems to BACnet/IP & MS/TP Interface



General	
Net Width (mm)	53
Net Height (mm)	58
Net Depth (mm)	93
Net Weight (g)	113
Packed Width (mm)	140
Packed Height (mm)	86
Packed Depth (mm)	110
Packed Weight (g)	206
Operating Temperature °C Min	0
Operating Temperature °C Max	40
Storage Temperature °C Min	0
Storage Temperature °C Max	40
Power Consumption (W)	2.1
Input Voltage (V)	14 VDC
Power Connector	2-pole
Configuration	Web Server
Capacity	1 Indoor unit.
Installation Conditions	This gateway is designed to be mounted inside an enclosure. If the unit is mounted outside an enclosure, precautions should always be taken to prevent electrostatic discharge to the unit. When working inside an enclosure (e.g., making adjustments, setting switches, etc.), typical anti-static precautions should always be followed before touching the unit.
AC Model Compatibility	Daikin VRV & Sky systems

Daikin VRV and Sky systems to BACnet/IP & MS/TP Interface



General

Content of Delivery	Intesis Gateway, Installation Manual.
Mounting	DIN rail mount (bracket included), Wall mount
Housing Materials	Plastic
Warranty (years)	3 years
Packaging Material	Cardboard

Identification and Status

Product ID	INBACDAI001R000
Country of Origin	Spain
HS Code	8517620000
Dual Usage	No
Export Control Classification Number (ECCN)	EAR99

Physical Features

Connectors / Input / Output	EIA-485, Ethernet, HVAC port, Console port USB.
LED Indicators	Gateway and communication status.
DIP & Rotary Switches	EIA-485 serial port configuration. Gateway settings.
Contains Battery	No

Certifications and Standards

ETIM Classification	EC001604
CE	Yes
CB	Yes
UL	Yes
BTL	Yes

Daikin VRV and Sky systems to BACnet/IP & MS/TP Interface



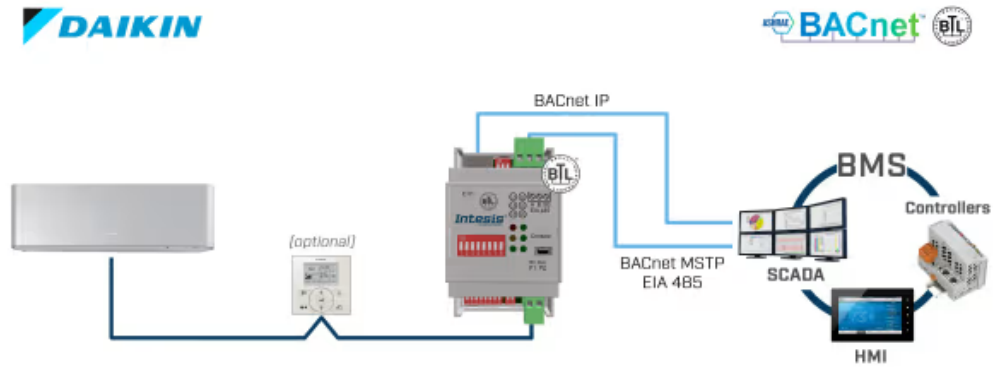
Certifications and Standards

WEEE Category

IT and telecommunications equipment



Use Case



*BACnet IP or BACnet MSTP communication selectable from switch configuration

Integration example.