

NOVOS 3 x LRW

Radio room operating unit temperature/humidity, optional with CO2

thermokon[®]
HOME OF SENSOR TECHNOLOGY



Datasheet

Subject to technical alteration
Issue date: 24.10.2024 • A141



» APPLICATION

LoRaWAN[®] Room operating unit with recording room temperature and humidity, optionally with CO2. The Transmission of the recorded values, the The transmission of the acquired measured values, the setpoint and optionally a pressed button is done via LoRaWAN[®] wireless technology.

» TYPES AVAILABLE

Room operating unit LRW

NOVOS 3 T



NOVOS 3 P



NOVOS 3 PT



» PRODUCT TESTING AND CERTIFICATION



Declaration of conformity

The declaration of conformity of the products can be found on our website
<https://www.thermokon.de/direct/en-gb/categories/novos-3>

» NOTES ON DISPOSAL



The crossed-out wheeled bin symbol indicates that the product or removable batteries must not be disposed of with household or commercial waste. Within the EU, you are legally obliged to dispose of the product separately and appropriately in accordance with the national laws of your country. Alternatively, please contact your supplier or Thermokon Sensortechnik GmbH. Further information can be found at: www.thermokon.com

» SECURITY ADVICE – CAUTION



The installation and assembly of electrical equipment should only be performed by authorized personnel.

The product should only be used for the intended application. Unauthorised modifications are prohibited! The product must not be used in relation with any equipment that in case of a failure may threaten, directly or indirectly, human health or life or result in danger to human beings, animals or assets. Ensure all power is disconnected before installing. Do not connect to live/operating equipment.

Please comply with

- Local laws, health & safety regulations, technical standards and regulations
- Condition of the device at the time of installation, to ensure safe installation
- This data sheet and installation manual

» MOUNTING ADVISE ROOM SENSORS

The Accuracy of the room sensors are influenced by the technical specifications as well as the positioning and the installation type.

During Assembly:

- Seal mounting box (if present).
- Installation type, air draught, heat source, radiation heat or direct sunlight can affect the measurement.
- Building material specific properties of the installation place (*brick-, concrete-, partition wall, cavity wall, ...*) can affect the measurement.

Assembly not recommend in...

- Air draught (e.g.: close to windows / doors / fans ...)
- Near heating sources,
- Direct sunlight
- Niches / between furniture / ...

» APPLICATION NOTICE FOR HUMIDITY SENSORS

At regular environmental condition, it is recommended to calibrate the sensor annually to check the compliance with the accuracy required in the application. The following conditions can damage the sensor element or lead in long term to loss of the specified accuracy:

- Mechanical stress
- Contamination (e.g. dust / fingerprints)
- Aggressive chemicals
- Ambient conditions (e.g. condensation on measuring element)



Do not touch the sensor elements!

Re-calibration or exchange of the sensor element are not subject of the general warranty.

» INFORMATION ABOUT SELF-CALIBRATION FEATURE CO2

All gas sensors are subject to drift. The degree of drift is dependent on the use of components and product design. In addition, the following environmental conditions, among others, can accelerate/ favor the aging and wear of the sensors:

- Mechanical stress (also due to temperature fluctuation)
- Contamination (dust / fingerprints e.g.)
- Abrasive chemicals
- Environmental influences (high humidity / condensation on measuring element)

An internal self calibration function with dual channel technology compensates the caused drift. Thermokon sensors are for permanent use (e.g. hospitals).

» INFORMATION ABOUT INDOOR AIR QUALITY CO2

EN 13779 defines several classes for indoor air quality:

Category	CO ₂ content above the content in outdoor air in ppm		Description
	Typical range	Standard value	
IDA1	<400 ppm	350 ppm	Good indoor air quality
IDA2	400.. 600 ppm	500 ppm	Standard indoor air quality
IDA3	600.. 1.000 ppm	800 ppm	Moderate indoor air quality
IDA4	>1.000 ppm	1.200 ppm	Poor indoor air quality

» TECHNICAL DATA

Enclosure	PC V0, pure white, design cover (optional)
Protection	IP20 according to DIN EN 60529
Ambient condition	-20..+70 °C, max. 85% rH non-condensing, with CO2 sensor operating temperature range 0..+50 °C
Mounting	surface mounted on flush-mounting box (Ø=60 mm) or to be mounted flat onto the surface using screws, base part can be mounted and wired separately
Measuring values (type dependend)	Temperature humidity (CO2)
Power supply	1x AA Batterie 1,5-3,6V (Alkaline or Lithium)
Battery life	+/- 5 years (depending on device configuration, network setup, battery-type* and ambient conditions)

* 3,6V Lithium battery (compared to 1,5V alkaline) recommended to increase battery life

Set point (P) (optional)	potentiometer
Button (T) (optional)	for presence detection

» Temperature

Measuring range temperature	-20..+70 °C
Accuracy temperature	±0,4K (typ. at 21 °C)

» Humidity

Measuring range humidity	0..100% rH
Accuracy humidity	±2% between 30..70% rH (typ. at 21 °C)

» CO2 (optional)

Measuring range CO2	0..5000 ppm
Accuracy CO2	±50 ppm +3 % of reading (typ. at 21 °C, 50% rH, 1015 hPa)

» LoRaWAN®

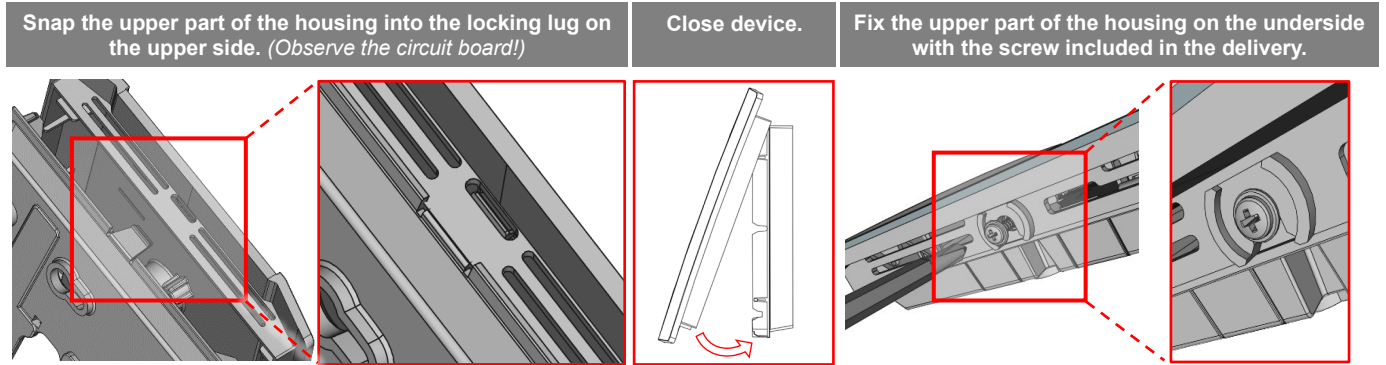
Radio technology	LoRaWAN®
LoRaWAN version	1.0.4
Device class	Class A
Frequency	EU868 (863-870 MHz)
Max. transmission power	+14 dBm (25 mW)
Receiver sensitivity	-137 dBm
Antenna	internal send- / receiver antenna
LoRaWAN Features	Over The Air Activation (OTAA), Adaptive Data Rate (ADR)
Data transmission (configurabel)	Heartbeat interval (default: 1440 min), Measurement-interval (default: 1 min), hysteresis transmission behavior,

» MOUNTING ADVICES

The installation can be performed on the flat wall surface or on a flush-mounted box. A representative place should be selected. Sunshine and draft, e.g. in the installation tube should be avoided, so that the measurement result is not falsified. Seal the end of the installation tube.

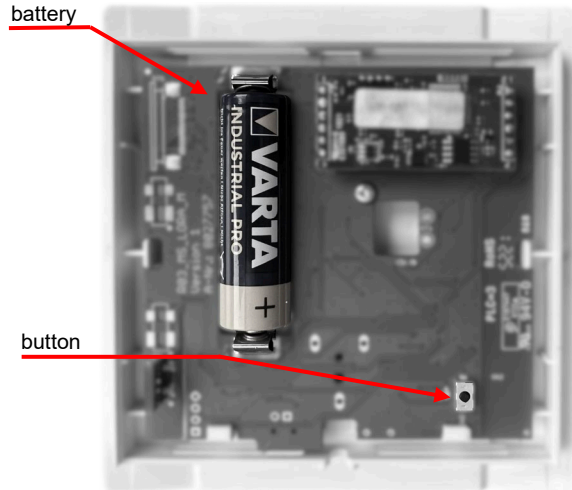
- For wiring, the upper part of the housing must be removed from the base plate. Base plate and upper part are detachably connected to each other by means of locking lugs.
- The mounting of the base plate on the flat wall surface is done with rawplugs and screws.
- Finally, the device is attached to the base plate and fixed with the screw.

Housing open / close



» BATTERY INSTALLATION

Position the battery as shown in the picture. (Observe battery polarity)



» CONFIGURATION

The configuration is performed in powered state. The following options are available for configuring the device:

Device connection	Micro-USB cable	Bluetooth radio	LoRaWAN® downlink
Configurations-software	PC/Notebook with uConfig software	Smartphone/Tablet with LRWApp	LoRaWAN Infrastructure

The configuration app with the corresponding instructions can be downloaded from the Google Play Store or the Apple App Store.

» **ADVICE FOR COMMISSIONING:**



The LoRaWAN credentials required for commissioning can be read out via the uConfig software or the LRWapp. On request, the LoRaWAN credentials can also be provided in digital form. For this purpose, please contact your respective contact person.

» **INFORMATION ABOUT LORAWAN SPECIFICATION**



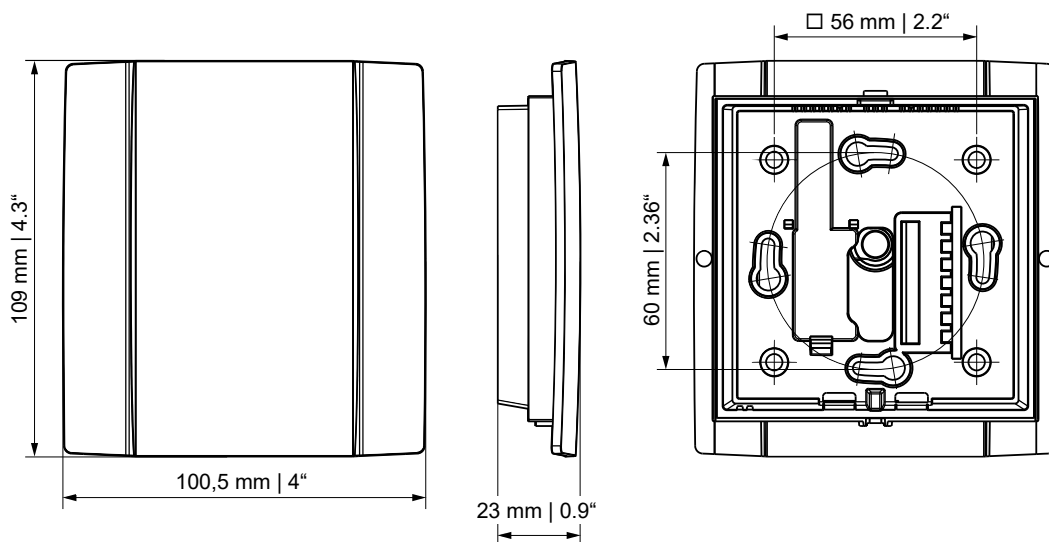
The Thermokon LoRaWAN specification can be downloaded from our website.

» **ADVICE FOR BLUETOOTH CONFIGURATION**



Press the button to start Bluetooth communication. After pressing the button, a connection can be established via the app within approx. 20 seconds. This is indicated by a flashing LED.

» **DIMENSIONS (MM | IN.)**



» **ACCESSORIES (SCOPE OF DELIVERY)**

battery 1,5V AA

Item-No.: 459099

» **ACCESSORIES (OPTIONAL)**

Rawplugs and screws (2 pcs. each)

Item No. 102209

Mounting bracket (surface mounted) white

Item No. 795050

Mounting bracket (surface mounted) black

Item No. 795074

Battery ER14505 (Lithium 3,6V AA)

Item No. 759182