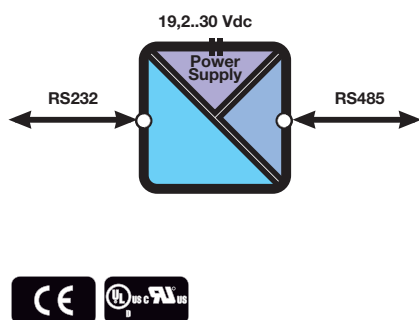
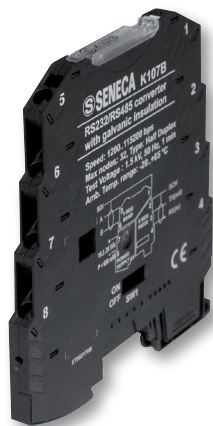


K107B

RS232 ↔ RS485 SERIAL CONVERTER



The K107B is designed to accept a single half duplex RS-485 input and give a single, isolated, half duplex RS-232 output, the K107B is ideal for most serial conversions and isolated transmissions over long distances. Being a K-Liner it features a super slim enclosure, just 102.5x93.1x6.2 mm. The DIN-Rail mountable K107B offers optional K-BUS connectivity allowing further savings in time and wiring by bussing together the nominal 24V DC power supply connections.

TECHNICAL SPECIFICATIONS

General Data

Power supply	19,2..30 Vdc
Side Power	Yes
Hot swapping	yes
Max current consumption	22 mA (24 Vdc)
Max power consumption	500 mW
Rejection	50 – 60 Hz (configurable)
Settings	DIP switches
Filter	Insertable
Dimensions (w x h x d)	6,2 x 93,1 x 102,5 mm
Isolation	1,5 kVac (3-way)
Isolation technique	Digital (optocoupler)
Data processing	32 bit floating point
Colour	Black
Enclosure	PBT
Weight	45 g
Operating temperature	-20..+65 °C
Connections	Clamp terminals / bus
Protection degree	IP20
Channels	1 input, 1 output
Status indicators	Power ON Data Inverted connection
Communication	Automatic handshake Baud rate: 1.200..115.200 bps
Approvals	CE, UL-UR CSA
Norms	EN 61010-1, EN 60742, EN 61000-2, EN 61000-4

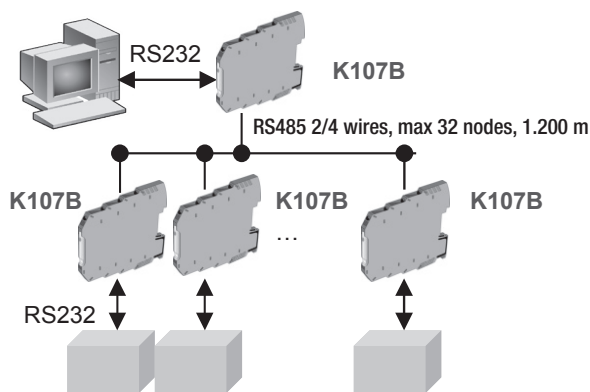
DATA X SIDE

Type	SERIAL RS232, protection up to 30 Vdc
------	--

DATA Y SIDE

Type	SERIAL RS485 half duplex, 31 nodes, terminal, protection up to 30 Vdc
------	--

APPLICATION NOTE



ORDER CODES

Code	Description
K107B	RS232 ↔ RS485 serial converter, 19,2..30 Vdc

ACCESSORIES & SOFTWARE

K-BUS Backplane for power connection pg. 114	PM001970 RS232 communication cable pg. 36

SIMILAR PRODUCTS

S107USB RS485 ↔ USB serial converter (desk) pg. 49	K107USB RS485 ↔ USB serial converter pg. 54	K107A RS485 ↔ RS485 serial isolator/amplifier pg. 52