

Outdoor LoRaWAN® Gateway UG67

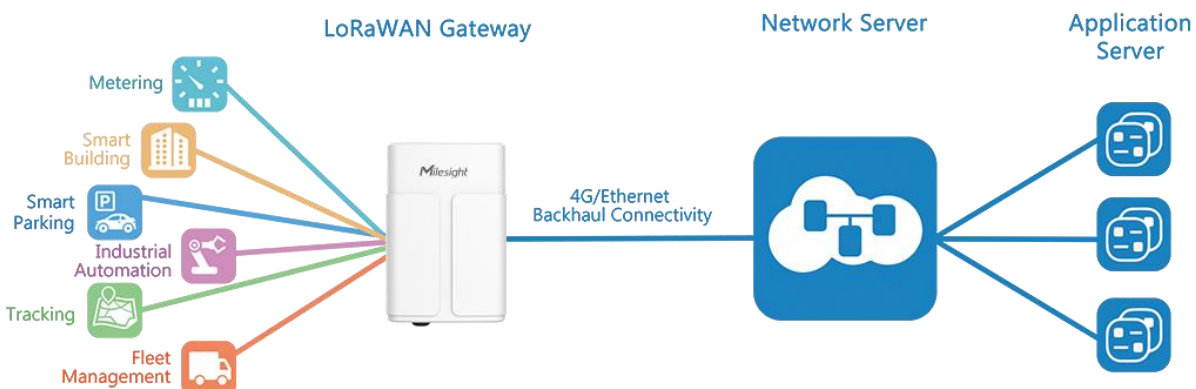
Milesight



UG67 is a robust 8-channel outdoor LoRaWAN® gateway. Adopting SX1302 LoRa chip and high-performance quad-core CPU, UG67 supports connection with more than 2000 nodes. UG67 has line of sight up to 15 km and IP67 waterproof case, which is ideally suited to smart agriculture, smart metering and many other outdoor applications.

UG67 supports not only multiple back-haul backups with Ethernet, Wi-Fi and cellular, but also has integrated mainstream network servers (such as The Things Stack, ChirpStack, etc.), built-in network server and Milesight Development Platform for easy deployment.

◆ Application Example



◆ Features

- Quad-core industrial processor with big memory
- Equip with SX1302 chip, handling a higher amount of traffic with lower consumption
- 8 half/full-duplex channels
- IP67 waterproof enclosure and industrial design for harsh environment applications
- Wall or pole mounting optional
- PoE or DC supply optional
- Capacitor for sending alarms in case of power failure
- Multi backhaul backups with Ethernet, cellular (4G) and Wi-Fi
- Enable security communication with multiple VPNs like IPsec/OpenVPN/LT2P/PPTP/DMVPN/WireGuard
- Devicehub and Milesight Development Platform provide easy and centralized management of remote devices
- Compatible with mainstream network servers like The Things Stack, ChirpStack, Actility, AWS, etc.
- Detect and analyze the noise level and provide intuitive diagram for deployment
- Built-in network server and MQTT(s)/HTTP(s) API for easily integration
- Support BACnet/IP and Modbus to integrate LoRaWAN® data to BMS/PLC system easily
- Embedded Python SDK for users secondary development
- Fast and user-friendly programming by Node-RED development tool

◆ Hardware Specifications

Hardware System

CPU	Quad-core 1.5 GHz, 64-bit ARM Cortex-A53
Memory	512 MB DDR4 RAM
Flash	8 GB eMMC

LoRaWAN®

Antenna Connector	2 × 50 Ω N-Female External Connectors
Channel	8 (Half/Full-duplex)
Frequency Band	CN470/IN865/EU868/RU864/US915/AU915/KR920/AS923-1&2&3&4
Sensitivity	-140dBm Sensitivity @292bps
Tx Power	27dBm Max
LBT ¹	Support

Ethernet Interface

Port	1 × RJ45 WAN Port (PoE PD supported)
Physical Layer	10/100/1000 Base-T (IEEE 802.3)
Data Rate	10/100/1000 Mbps (Auto-Sensing)

¹ AU915 and US915 do not support LBT.

Interface	Auto MDI/MDIX
Mode	Full or Half Duplex (Auto-Sensing)
Ethernet Isolation	1.5 kV RMS

Wi-Fi Interface

Antenna	Internal Antenna
Standards	IEEE 802.11 b/g/n, 2.4GHz
	802.11b: 18 dBm +/-2.0 dBm (11 Mbps)
	802.11g: 15 dBm +/-2.0 dBm (6 Mbps)
	802.11g: 15 dBm +/-2.0 dBm (54 Mbps)
Tx Power	802.11n@2.4 GHz: 14 dBm +/-2.0 dBm (MCS0_HT20)
	802.11n@2.4 GHz: 14 dBm +/-2.0 dBm (MCS7_HT20)
	802.11n@2.4 GHz: 13 dBm +/-2.0 dBm (MCS0_HT40)
	802.11n@2.4 GHz: 13 dBm +/-2.0 dBm (MCS7_HT40)

Cellular Interface

Network	4G LTE
Tx Power	Class 3 (23 dBm ±2 dB)
Antenna	Internal Antenna
SIM Slot	1 (mini SIM-2FF)

GNSS

Technology	GPS/GLONASS/QZSS/SBAS
Antenna	Internal Antenna
Sensitivity	-161dBm@Tracking, -149dBm@Acquisition, -161dBm@Re-acquisition
Position Accuracy	2.5m CEP (Open Air)

Others

LED Indicators	1 × SYS, 1 × LoRa, 1 × LTE
Reset Button	1 × RST
USB	1 × Type-C for Console
Power Connector	1 × M12 A-Coded Connector
Built-in	Watchdog, RTC, Timer

Power Supply and Consumption

Power Supply	1. 802.3 af PoE 2. 6~12 V DC via M12 Connector
Power Consumption	Typical 3.6 W, Max 4.8 W

Physical Characteristics

Ingress Protection	IP67
--------------------	------

Material & Color	PC (UL94 V0) + ADC-12 Aluminum, White
Weight	1463g
Dimensions	240 x 164 x 90.9 mm (9.45 x 6.46 x 3.58 in)
Installation	Wall or Pole Mounting
Environmental	
Operating Temperature	-40°C to +70°C (-40°F to +158°F)
Temperature	Reduced Cellular Performance Above 60°C
Storage Temperature	-40°C to +85°C (-40°F to +185°F)
Relative Humidity	0% to 95% (non-condensing) at 25°C/77°F
Approvals	
Regulatory	CE, CE (RED), FCC, TELEC
Environmental	RoHS

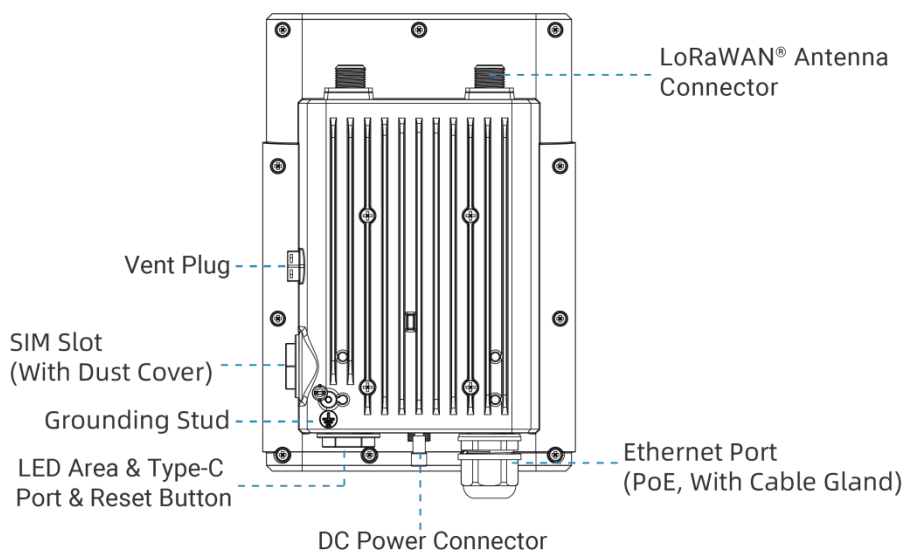
◆ Software Specifications

LoRaWAN®	
Supported Devices	Around 2000 Class A/B/C Devices (10 min uplink interval)
Protocol	V1.0 Class A/Class B/Class C and V1.0.2 Class A/Class B/Class C
Compatibility	DeviceHub LNS, Milesight Development Platform LNS, Milesight IoT Cloud, etc. For more see ecosystem program .
Packet Forwarder	
Noise Analyzer	Scan the noise of the frequencies for channel selection
Packet Filter	Add whitelist or blacklist to filter the packets
Data Retransmission ²	Re-transmit the data packets after network recovery
Embedded Network Server	
Decode and Encode	Inbuilt Milesight devices codec library, support custom codec setup
Gateway Fleet	Work as the network server of other Milesight blind-filling gateways
Multicast	Support multicast downlink control
FUOTA	Upgrade FUOTA supported end devices
Integration	MQTT(s), HTTP(s), BACnet/IP, BACnet/SC, Modbus TCP, Modbus RTU over TCP
Network	
Network Protocols	PPPoE, SNMP v1/v2c/v3, TCP, UDP, DHCP, DDNS, HTTP, HTTPS, DNS,

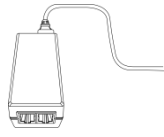
² Only parts of packet forwarders support this feature.

	ARP, SNMP, Telnet, SSH, etc.
VPN Tunnel	OpenVPN/IPsec/PPTP/L2TP/GRE/DMVPN/WireGuard
Firewalls	Access Control, DMZ, Port Mapping (DNAT), MAC Binding, Filtering (IP&Domain)
DDNS	Supported >16 service providers, others can be configured manually
Multilevel Authority	Multiple Levels of User Authority
Reliability	WAN Failover
Diagnostics Tools	Ping, Traceroute, Tcpdump, QXDM, Log Server
Wi-Fi Interface	
Standards	IEEE 802.11 b/g/n, 2.4GHz
Mode	AP or Client mode
Security	AP: WPA-PSK/WPA2-PSK authentication, WEP/TKIP/AES encryption
	Client: WPA-PSK/WPA2-PSK/WPA-Enterprise/WPA2-Enterprise authentication, WEP/TKIP/AES encryption
Management	
Configuration	Web, CLI (SSH/Telnet), SMS, On-demand dial up, SNMP, HTTP API, MQTT API, Milesight Development Platform, DeviceHub
Update	Web, Milesight Development Platform, DeviceHub
Device Management	Milesight Development Platform, DeviceHub
Event Alarm	Power On/Off, Network Up/Down, VPN Up/Down, etc.
Others	
App	Python SDK, Node-RED

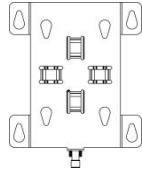
◆ Hardware Overview



◆ Accessories



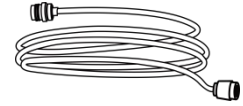
1 × PoE Injector



1 × Mounting Bracket



4 × Wall Mounting Kits



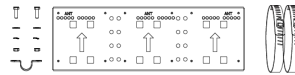
1 × Antenna Coaxial Cable (1m)



1 × M12 DC Power Cable (30cm)



2 × LoRaWAN[®] Antennas (60cm)



1 × Short Mounting Backboard Kit

***Note:** Contact us if you need any other special accessories or customized accessories.

◆ Dimensions(mm)

