

Mini AI Thermopile People Counter

Featuring LoRaWAN®

VS351



VS351 is a compact AI thermopile people counter designed for indoor entrance and exit applications. It delivers reliable, bi-directional people counting with consistent accuracy, providing dependable data for foot traffic analysis and efficient space management. Combined with a radar sensor for presence detection, it intelligently schedules the activation time of the thermopile to optimize power consumption. As a Milesight D2D controller, the VS351 seamlessly communicates with other Milesight D2D devices, establishing more possible connections and paving the way for smoother operations.

With easy configuration and wireless detection, the VS351 facilitates simple deployment and connectivity. Compliant with the Milesight LoRaWAN® gateway and Milesight Development Platform solution, users can know the number of people in any indoor space and trigger other sensors or appliances easily via a webpage remotely.

VS351 can be used in meeting rooms, office buildings, etc.



Battery Version



Type-C Version

◆ Features

- Provide 80% - 90% detection accuracy¹ for bi-directional people counting with radar (battery version only) and the thermopile technology
- A Built-in temperature sensor that can not only support environmental temperature detection but also

monitor whether the operating temperature of the device is within a reasonable range

- 100% anonymity and GDPR-compliant without image capturing, free from privacy concerns
- Type-C version (wired) and battery version (wireless) available for different installation environments
- Ultra-low power consumption with up to 1.6-year battery life, complies with ESG standard
- Wireless connectivity and convenient size improve the accessibility and simplicity of deployment
- Store locally historical records and support retransmission to prevent data loss
- Support Milesight D2D protocol to enable ultra-low latency and direct control without gateways
- Equipped with NFC for one touch configuration
- Function well with standard LoRaWAN® gateways and network servers
- Compatible with Milesight IoT Cloud and Milesight Development Platform

◆ Specifications

Measurement	
People Counting	
Technology	Radar (Battery Version Only) & Thermopile
Installation Height	2 m ~ 3 m
Detection Width	3.6 m @ 3 m Installation Height
Sensor Adjustable Angle	0°~90°
Best Operating Temperature	15 °C ~ 30 °C
Temperature	
Range	-30°C ~ 70°C
Accuracy	± 2°C
Wireless Transmission	
Protocol	LoRaWAN®, Milesight D2D
Antenna	Internal Antenna
Frequency	CN470/IN865/RU864/EU868/US915/AU915/KR920/AS923-1&2&3&4
Tx Power	16 dBm (868 MHz) / 19 dBm (470 MHz) / 22 dBm (915 MHz)
Sensitivity	-137dBm
Mode	OTAA/ABP Class A
Others	
Button	1 × Reset Button (Internal)
Software	

Configuration	NFC via Mobile App, Downlink
Advanced Feature	Data Storage (1,000 entries), Data Retransmission, Data Retrievability, Milesight D2D Controller
Physical Characteristics	
Power Supply	<ul style="list-style-type: none"> ● 5V/1A by Type-C Port (Both Versions) ● 4 x 9000 mAh ER26500 Li-SOCl₂ Replaceable Batteries (Battery Version Only)
Battery Life ²	Around 1.7 Years (SF7, EU868&US915) Around 1.6 Years (SF10, EU868&US915) (30-min Interval, 25 °C, 1000 People per Day)
Operating Temperature	-20°C ~ 60°C
Relative Humidity	0% ~ 95% (Non-condensing)
Ingress Protection	IP30
Dimension	Type-C Version: 70 x 68 x 32 mm (2.76 x 2.68 x 1.26 in) Battery Version: 188 x 68 x 32 mm (7.40 x 2.68 x 1.26 in)
Material & Color	PC (Flame Retardant), White
Weight	Type-C Version: 72.3g Battery Version: 383g
Installation	Ceiling Mounting, Lintel Mounting
Approvals	
Regulatory	CE, FCC

¹ Tested under an installation height of 2.7m, with an average height of target of 1.7m and a temperature of 25°C.

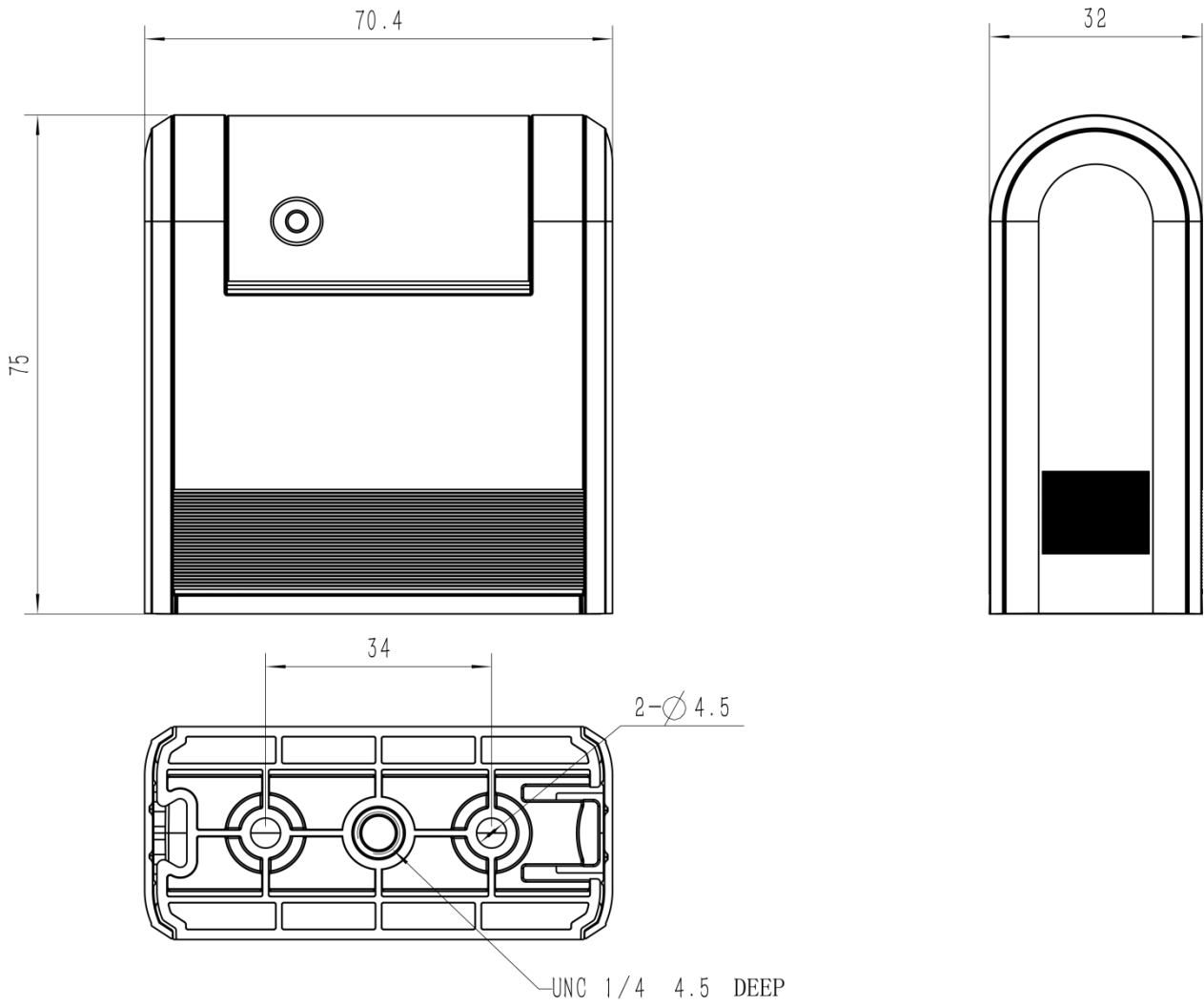
² Tested under laboratory conditions and for guideline purposes only.

◆ Detection Area

Installation Height (m)	Detection Width(m)
2.0	1.6
2.2	2.0
2.4	2.57
2.6	2.9
2.8	3.2
3.0	3.6

◆ Dimensions (mm)

Type-C Version:



Battery Version :

